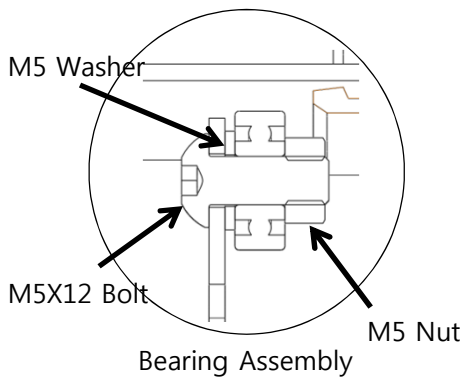
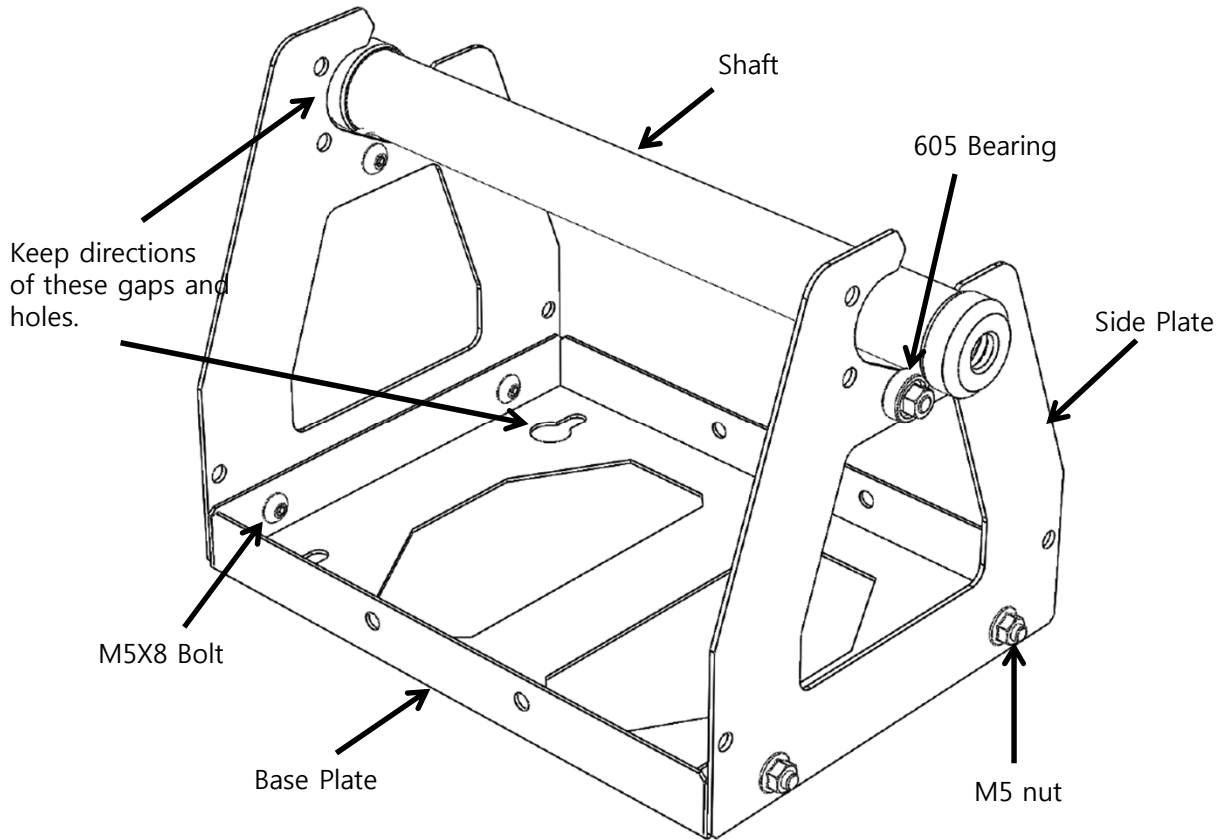


# Assembly Instructions

NEXTFILA 3D Printer filament spool holder v1.0



1. Assemble side plates to a base plate using 4ea M5x8 bolts and 4ea M5 nuts.
2. Load a shaft.
3. If you want to use bearings, assemble 4ea 605 bearings with reference to a left diagram.
4. See [www.nextfila.com](http://www.nextfila.com) for more information.

Parts : Base plate x 1, Side Plate x 2, Shaft x 1, M5X8 bolt x 4, M5 nut x 8,  
605ZZ BearingX4, M5X12 bolt x 4, M5 washer x 4  
3mm Hex Wrench, Tapping Screw x 4

NEXTFILA : Connectable 3D printer filament  
NEXTFILA Inc. / [www.nextfila.com](http://www.nextfila.com) / [nextfila@gmail.com](mailto:nextfila@gmail.com) / T)82-31-797-8610

Made in KOREA